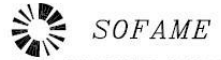


1	PRELIMINARY LAYOUT	10/09/3
NO.	REVISION (S)	DATE



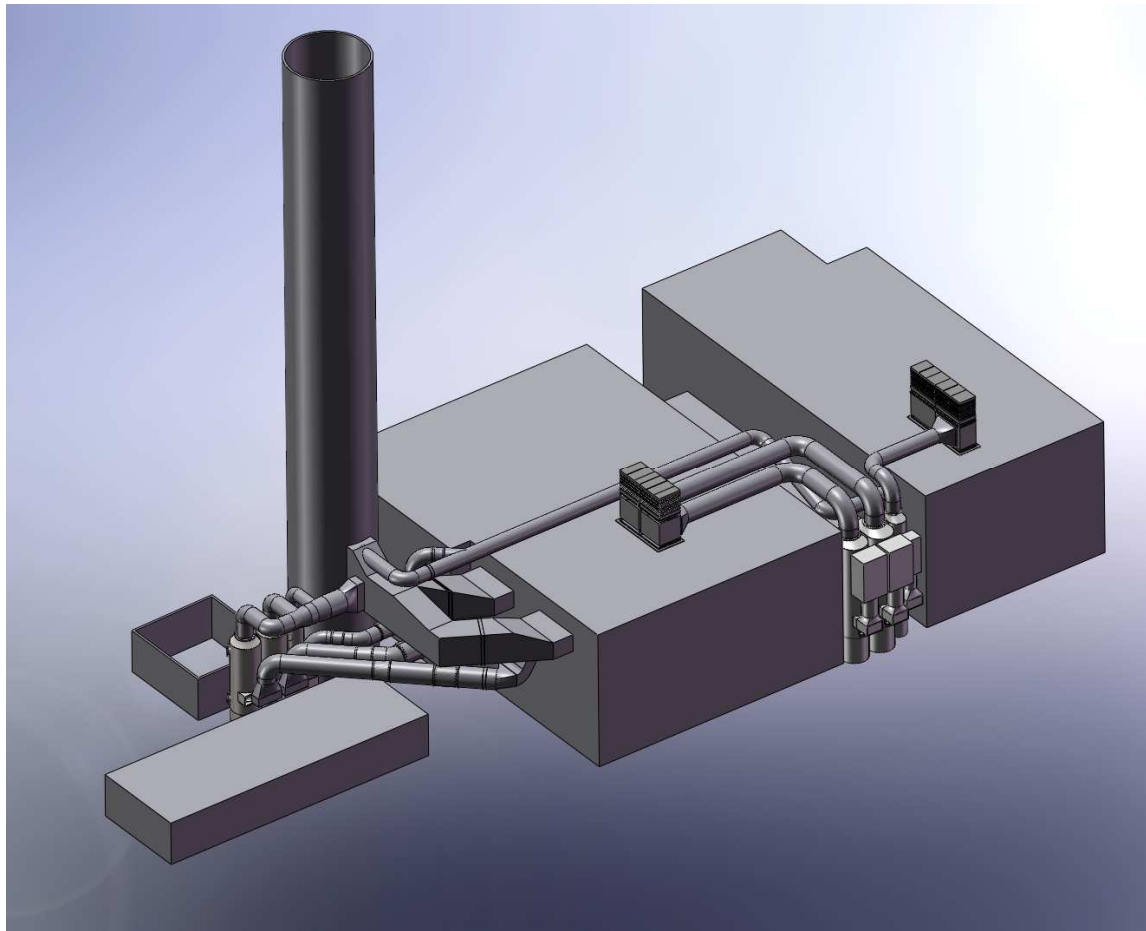
THE INFORMATIONS AND CONCEPTION CONTAINED IN THIS DRAWING ARE THE PROPERTY OF SOFAME INC. THIS DRAWING IS LOANED SUBJECT TO THE CONDITION THAT IT SHALL NOT BE REPRODUCED, LOANED OR SUBMITTED TO OTHER PARTIES WITHOUT THE WRITTEN CONSENT OF SOFAME INC.
 500 ALPHONSE D. ROY MONTREAL QUEBEC H1W 3Y8 (514)523-6545

Designed by:	P.N.	Drawn by:	P.N.
Verified by:	A.R.	Approved by:	A.R.

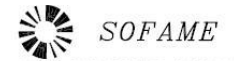
Project title:
 RUTGERS UNIVERSITY
 BUSCH PLANT
 NEW BRUNSWICK NJ

Drawing title:
 PRELIMINARY LAYOUT

SCALE:	—	DATE:	SEP 3 2010	SHEET NO.
FILES NO.:	1005	DRAWING NO.:	SC00090-300004	



1	PRELIMINARY LAYOUT	10/09/3
NO.	REVISION (S)	DATE



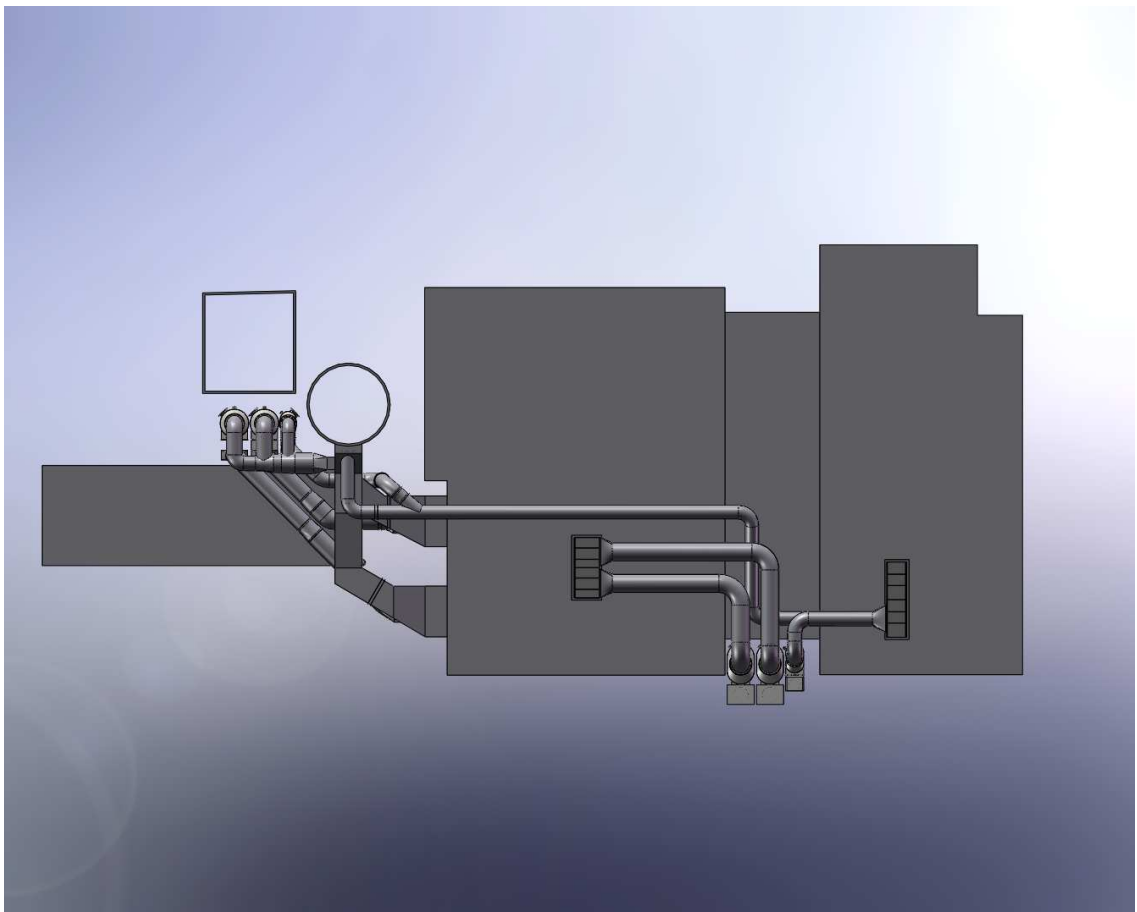
THE INFORMATIONS AND CONCEPTION CONTAINED IN THIS DRAWING ARE THE PROPERTY OF SOFAME INC. THIS DRAWING IS LOANED SUBJECT TO THE CONDITION THAT IT SHALL NOT BE REPRODUCED, LOANED OR SUBMITTED TO OTHER PARTIES WITHOUT THE WRITTEN CONSENT OF SOFAME INC.
 500 ALPHONSE D. ROY MONTREAL QUEBEC H1W 3Y8 (514)523-6545

Designed by:	P.N.	Drawn by:	P.N.
Verified by:	A.R.	Approved by:	A.R.

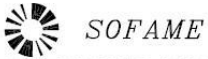
Project title:
 RUTGERS UNIVERSITY
 BUSCH PLANT
 NEW BRUNSWICK NJ

Drawing title:
 PRELIMINARY LAYOUT

SCALE:	—	DATE:	SEP 3 2010	SHEET NO.
FILES NO:	1005	DRAWING NO:	S000090-300004	



1	PRELIMINARY LAYOUT	10/09/03
NO.	REVISION (S)	DATE



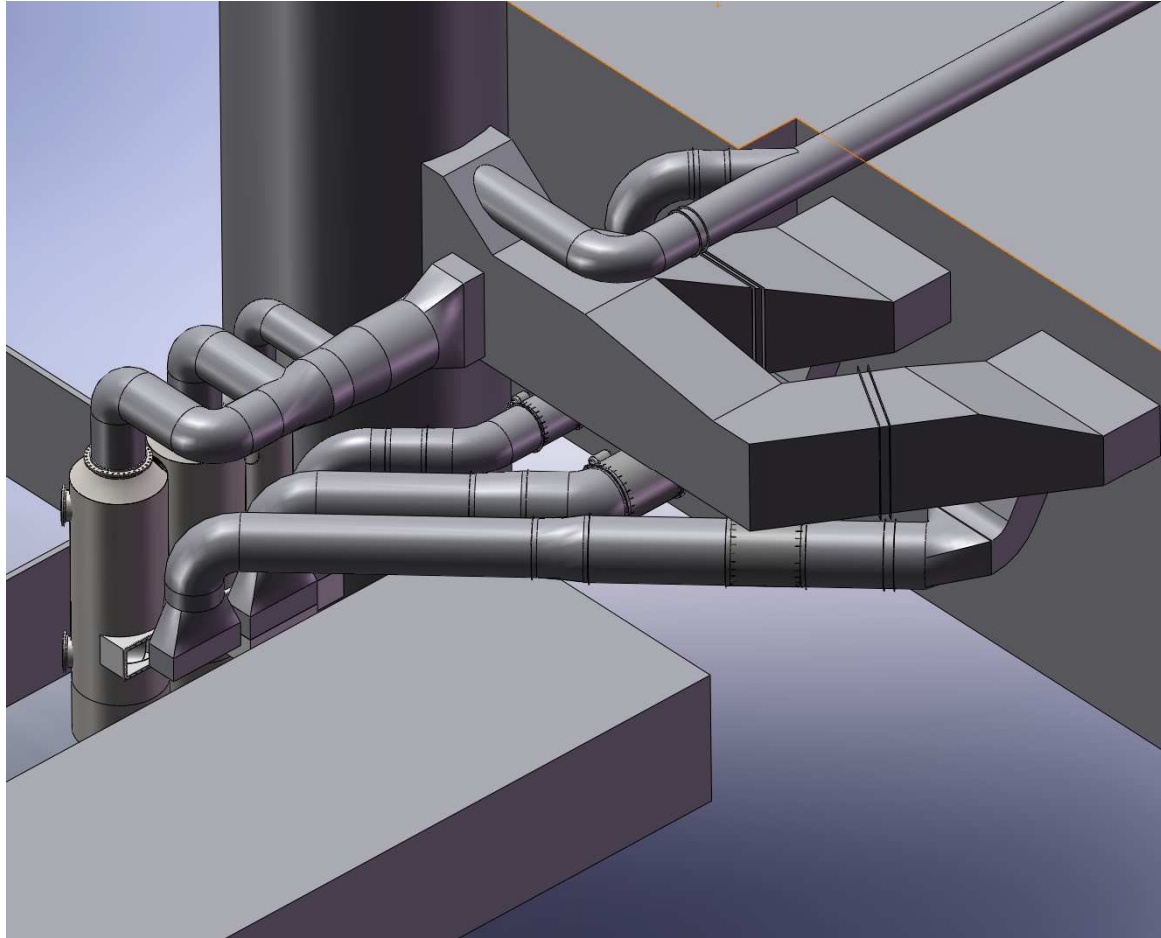
THE INFORMATIONS AND CONCEPTION CONTAINED IN THIS DRAWING ARE THE PROPERTY OF SOFAME INC. THIS DRAWING IS LOANED SUBJECT TO THE CONDITION THAT IT SHALL NOT BE REPRODUCED, LOANED OR SUBMITTED TO OTHER PARTIES WITHOUT THE WRITTEN CONSENT OF SOFAME INC.
 500 ALPHONSE D. ROY MONTREAL QUEBEC
 H1W 3Y8 (514)523-6545

Designed by:	P.N.	Drawn by:	P.N.
Verified by:	A.R.	Approved by:	A.R.

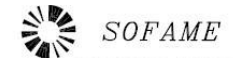
Project title:
 RUTGERS UNIVERSITY
 BUSCH PLANT
 NEW BRUNSWICK NJ

Drawing title:
 PRELIMINARY LAYOUT

SCALE:	—	DATE:	SEP 3 2010	SHEET NO.
FILES NO.:	1005	DRAWING NO.:	SC00080-300004	



1	PRELIMINARY LAYOUT	10/09/13
NO.	REVISION (S)	DATE



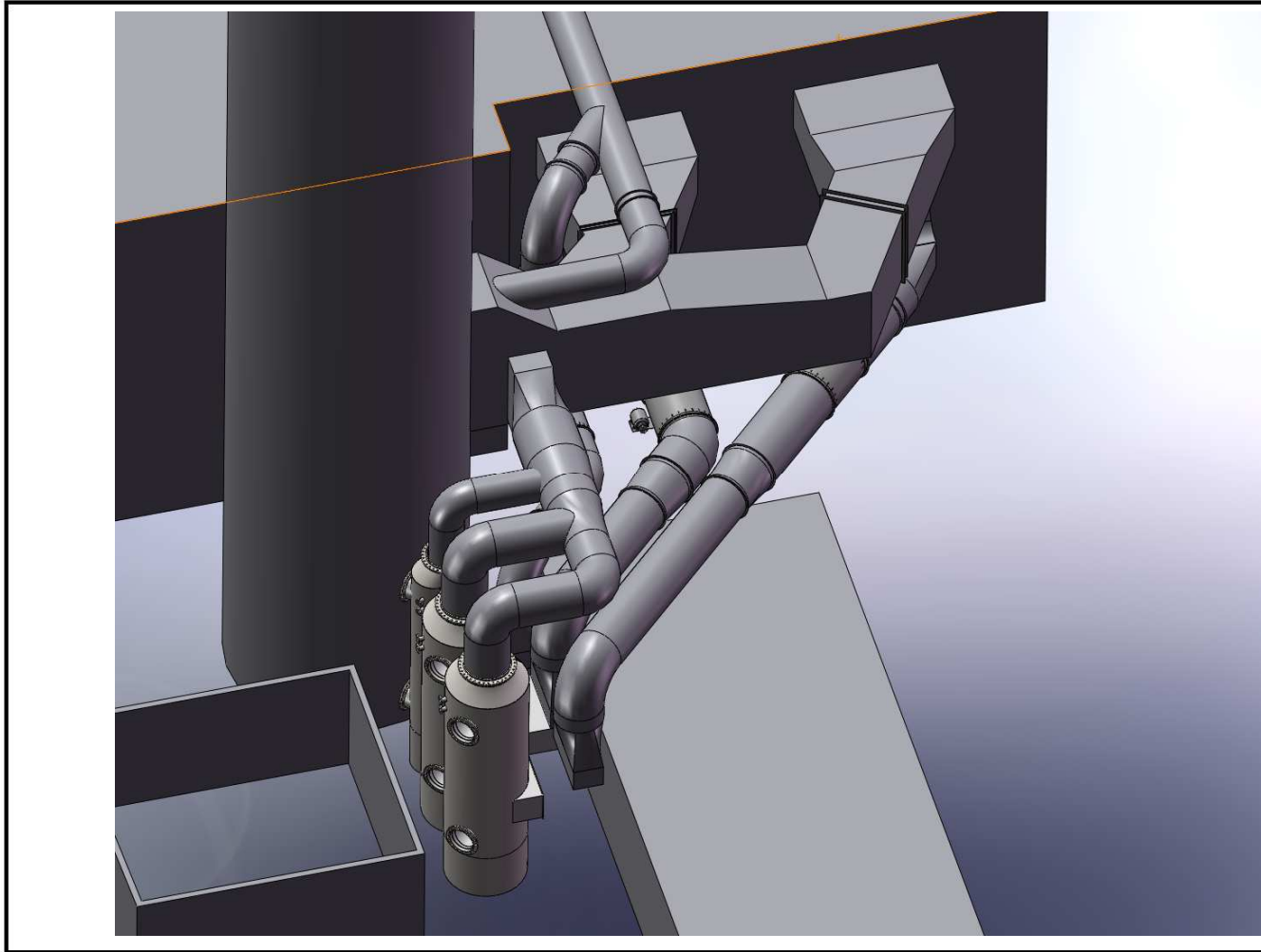
THE INFORMATIONS AND CONCEPTION CONTAINED IN THIS DRAWING ARE THE PROPERTY OF SOFAME INC. THIS DRAWING IS LOANED SUBJECT TO THE CONDITION THAT IT SHALL NOT BE REPRODUCED, LOANED OR SUBMITTED TO OTHER PARTIES WITHOUT THE WRITTEN CONSENT OF SOFAME INC.
 500 ALPHONSE D. ROY MONTREAL QUEBEC H1W 3Y8 (514)523-6545


Designed by:	P.N.	Drawn by:	P.N.
Verified by:	A.R.	Approved by:	A.R.

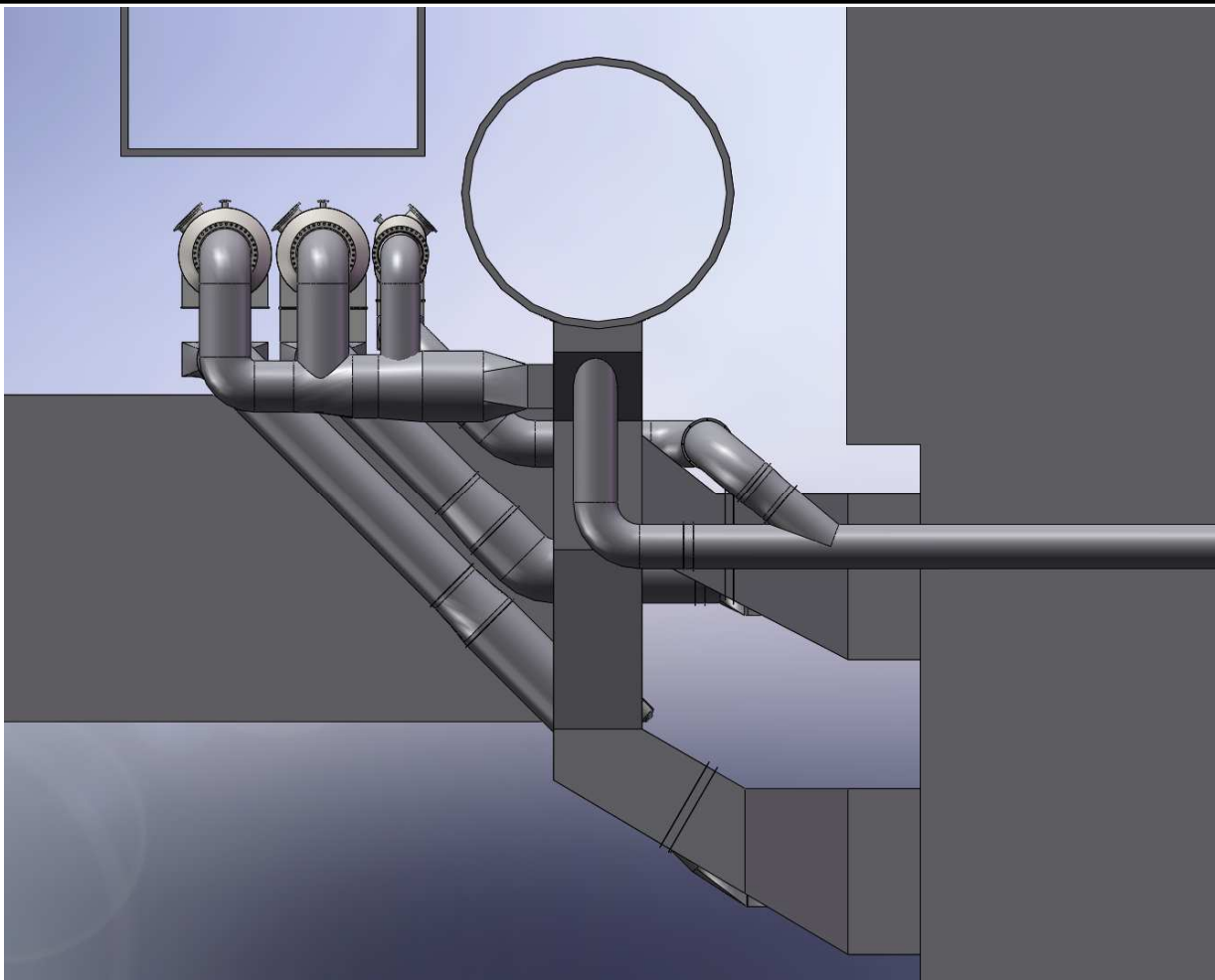
Project title:
 RUTGERS UNIVERSITY
 BUSCH PLANT
 NEW BRUNSWICK NJ

Drawing title:
 PRELIMINARY LAYOUT

SCALE:	—	DATE:	SEP 3 2010	SHEET NO.
FILES NO:	1005	DRAWING NO.	SC000090-300004	



1	PRELIMINARY LAYOUT	10/09/0
NO.	REVISION (S)	DATE
		
<p>THE INFORMATIONS AND CONCEPTION CONTAINED IN THIS DRAWING ARE THE PROPERTY OF SOFAME INC. THIS DRAWING IS LOANED SUBJECT TO THE CONDITION THAT IT SHALL NOT BE REPRODUCED, LOANED OR SUBMITTED TO OTHER PARTIES WITHOUT THE WRITTEN CONSENT OF SOFAME INC. 500 ALPHONSE D. ROY MONTREAL QUEBEC H1W 3Y8 (514)523-6545</p>		
Designed by:	P.N.	Drawn by: P.N.
Verified by:	A.R.	Approved by: A.R.
Project title:		
RUTGERS UNIVERSITY BUSCH PLANT NEW BRUNSWICK NJ		
Drawing title:		
PRELIMINARY LAYOUT		
SCALE:	DATE:	SHEET N°
-	SEP 3 2010	
FILES N°	DRAWING N°	
1005	SC00090-300004	



1	PRELIMINARY LAYOUT	10/09/03
NO.	REVISION (S)	DATE



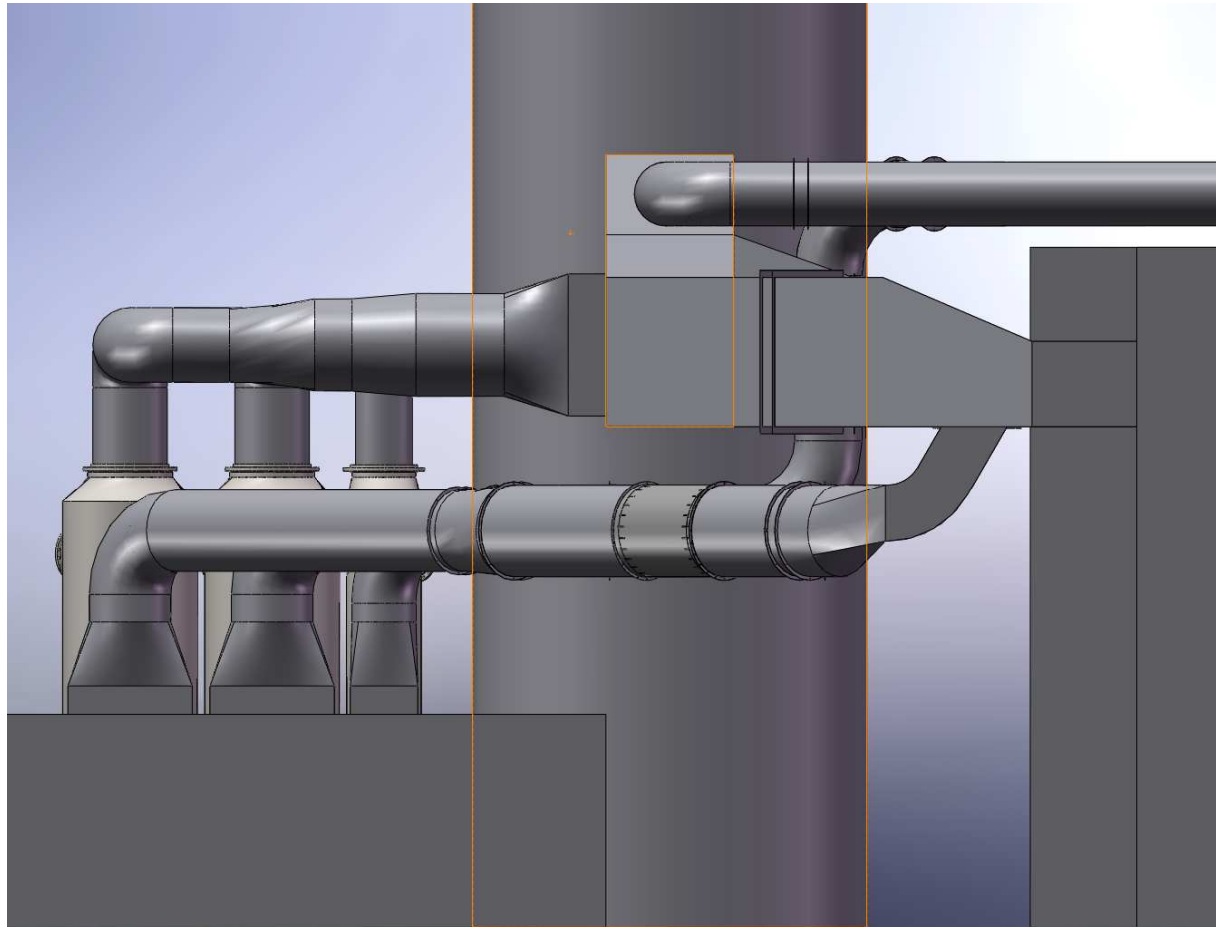
THE INFORMATIONS AND CONCEPTION CONTAINED IN THIS DRAWING ARE THE PROPERTY OF SOFAME INC. THIS DRAWING IS LOANED SUBJECT TO THE CONDITION THAT IT SHALL NOT BE REPRODUCED, LOANED OR SUBMITTED TO OTHER PARTIES WITHOUT THE WRITTEN CONSENT OF SOFAME INC.
 500 ALPHONSE D. ROY MONTREAL QUEBEC H1W 3Y8 (514)523-6545

Designed by:	P.N.	Drawn by:	P.N.
Verified by:	A.R.	Approved by:	A.R.

Project title:
 RUTGERS UNIVERSITY
 BUSCH PLANT
 NEW BRUNSWICK NJ

Drawing title:
 PRELIMINARY LAYOUT

SCALE:	—	DATE:	SEP 3 2010	SHEET NO.	
FILES N°:	1005	DRAWING N°:	SC00090-300004		



*Front

NO.	REVISION (S)	DATE
1	PRELIMINARY LAYOUT	10/09/2



SOFAME

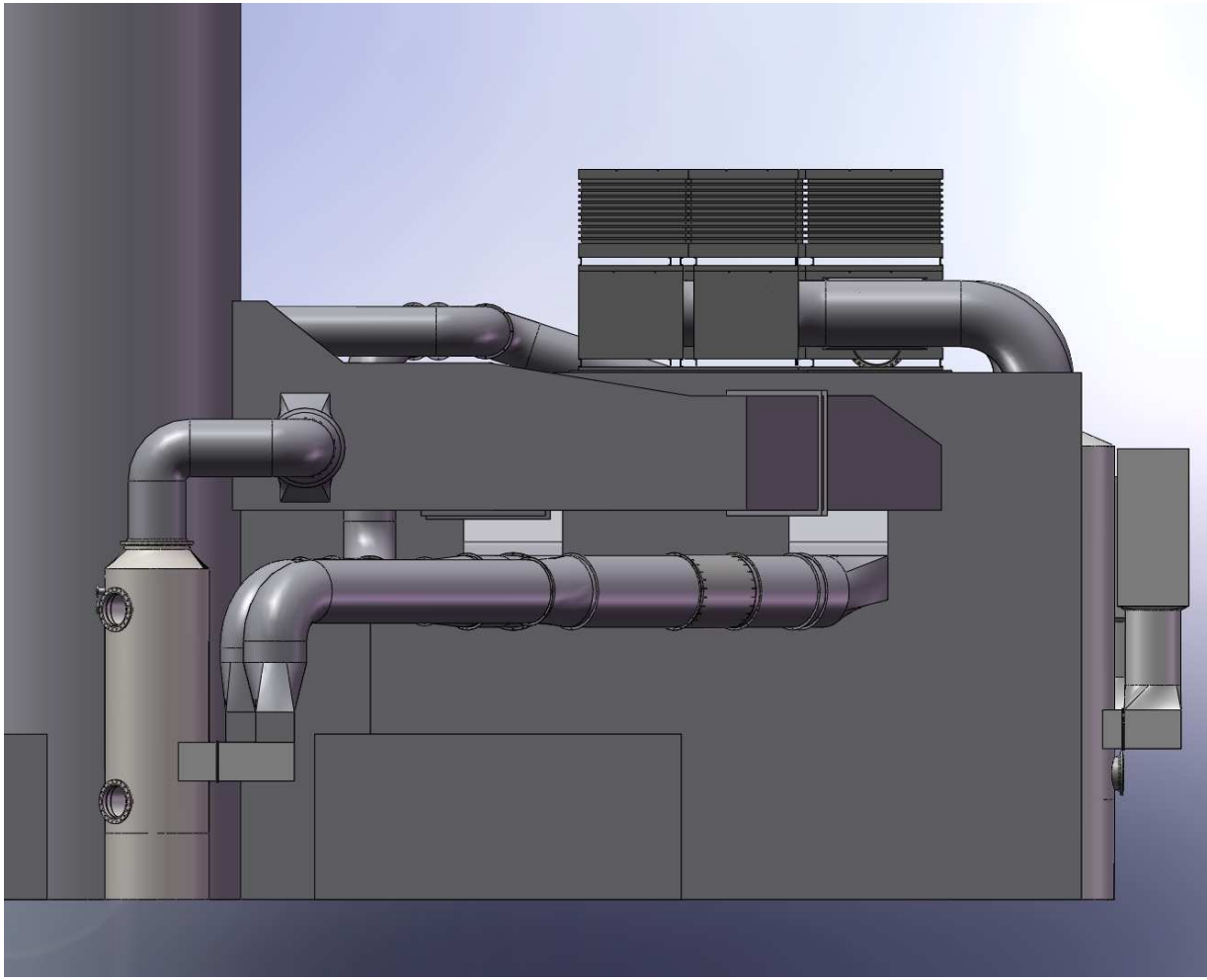
THE INFORMATIONS AND CONCEPTION CONTAINED IN THIS DRAWING ARE THE PROPERTY OF SOFAME INC. THIS DRAWING IS LOANED SUBJECT TO THE CONDITION THAT IT SHALL NOT BE REPRODUCED, LOANED OR SUBMITTED TO OTHER PARTIES WITHOUT THE WRITTEN CONSENT OF SOFAME INC.
 500 ALPHONSE D. ROY MONTREAL QUEBEC H1W 3Y8 (514)523-6545

Designed by: P.N. Drawn by: P.N.
 Verified by: A.R. Approved by: A.R.

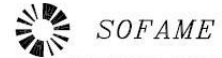
Project title:
 RUTGERS UNIVERSITY
 BUSCH PLANT
 NEW BRUNSWICK NJ

Drawing title:
 PRELIMINARY LAYOUT

SCALE: --	DATE: SEP 3 2010	SHEET #:
FILES NO: 1005	DRAWING NO: SCD0090-300004	



1	PRELIMINARY LAYOUT	10/09/03
NO.	REVISION (S)	DATE



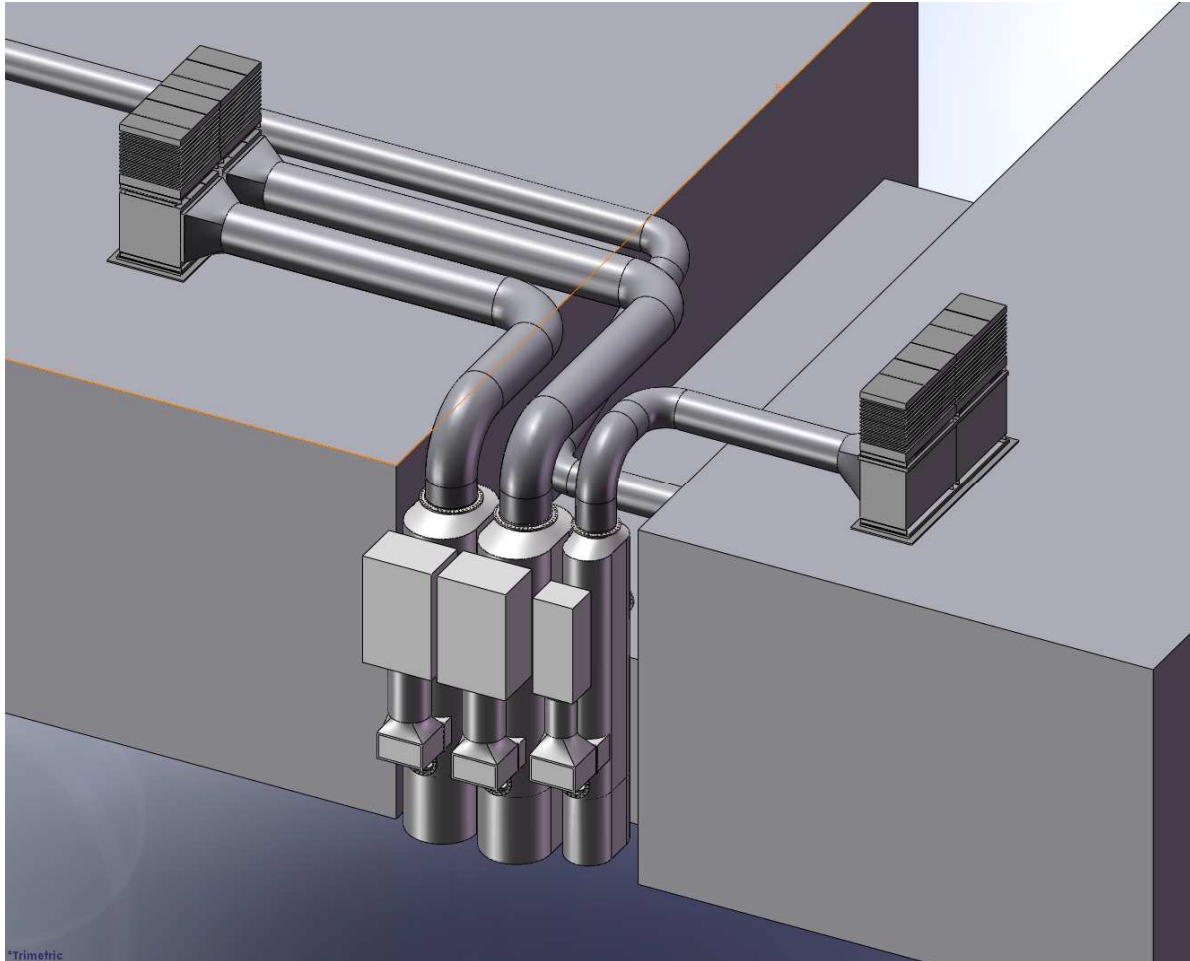
THE INFORMATIONS AND CONCEPTION CONTAINED IN THIS DRAWING ARE THE PROPERTY OF SOFAME INC. THIS DRAWING IS LOANED SUBJECT TO THE CONDITION THAT IT SHALL NOT BE REPRODUCED, LOANED OR SUBMITTED TO OTHER PARTIES WITHOUT THE WRITTEN CONSENT OF SOFAME INC.
 500 ALPHONSE D. ROY MONTREAL QUEBEC
 H1W 3Y8 (514)523-6546

Designed by:	P.N.	Drawn by:	P.N.
Verified by:	A.R.	Approved by:	A.R.

Project title:
 RUTGERS UNIVERSITY
 BUSCH PLANT
 NEW BRUNSWICK NJ

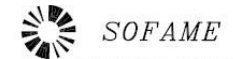
Drawing title:
 PRELIMINARY LAYOUT

SCALE:	—	DATE:	SEP 3 2010	SHEET N°
FILES N°:	1005	DRAWING N°:	SC00090-300004	



#Trimetric

1	PRELIMINARY LAYOUT	10/09/03
NO.	REVISION (S)	DATE



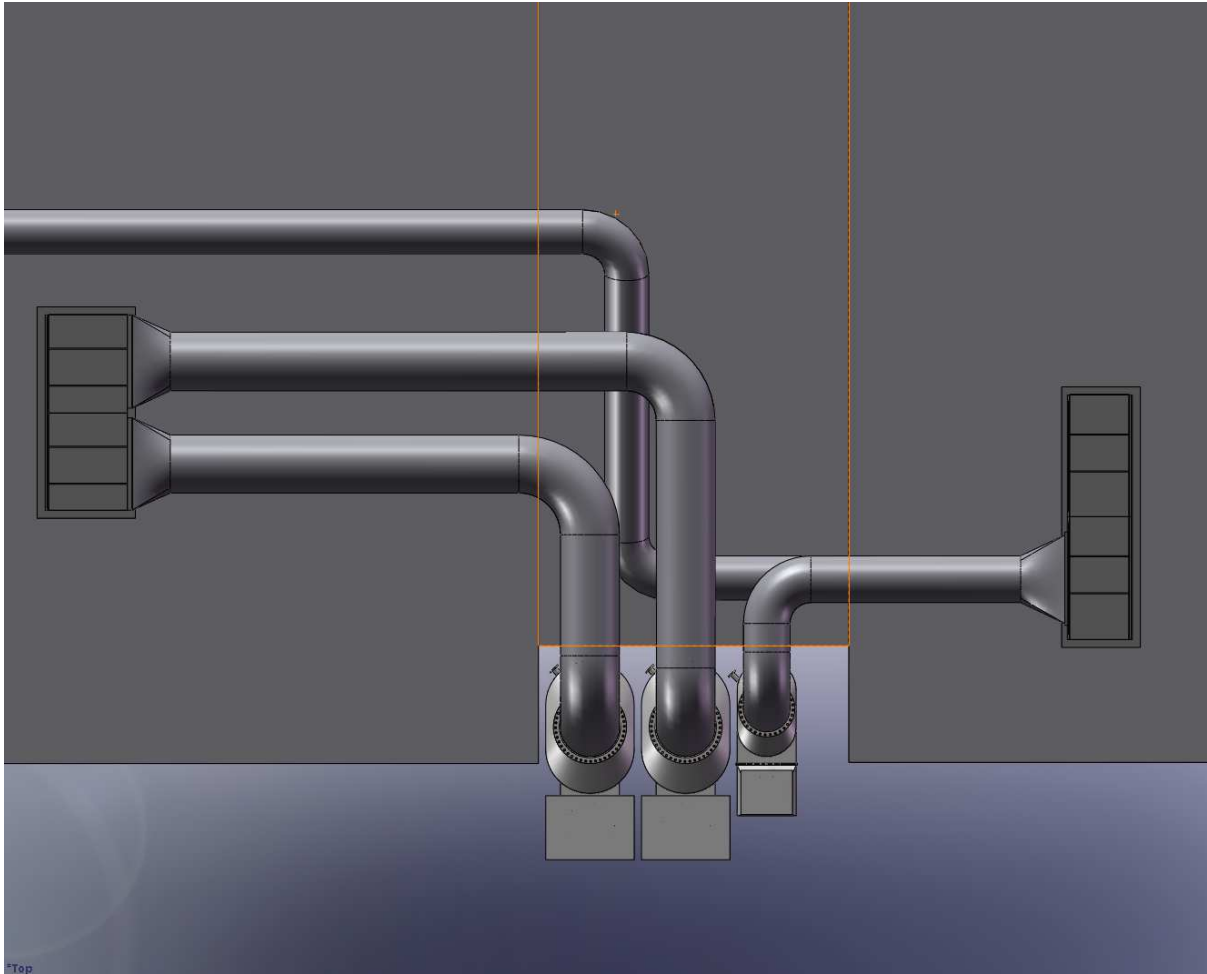
THE INFORMATIONS AND CONCEPTION CONTAINED IN THIS DRAWING ARE THE PROPERTY OF SOFAME INC. THIS DRAWING IS LOANED SUBJECT TO THE CONDITION THAT IT SHALL NOT BE REPRODUCED, LOANED OR SUBMITTED TO OTHER PARTIES WITHOUT THE WRITTEN CONSENT OF SOFAME INC.
 500 ALPHONSE D. ROY MONTREAL QUEBEC
 H1W 3Y8 (514)523-6545

Designed by:	P.N.	Drawn by:	P.N.
Verified by:	A.R.	Approved by:	A.R.

Project title:
 RUTGERS UNIVERSITY
 BUSCH PLANT
 NEW BRUNSWICK NJ

Drawing title:
 PRELIMINARY LAYOUT

SCALE:	-	DATE:	SEP 3 2010	SHEET N°:	
FILES N°:	1005	DRAWING N°:	SC000090-300004		



Top

1	PRELIMINARY LAYOUT	10/09/03
NO.	REVISION (S)	DATE



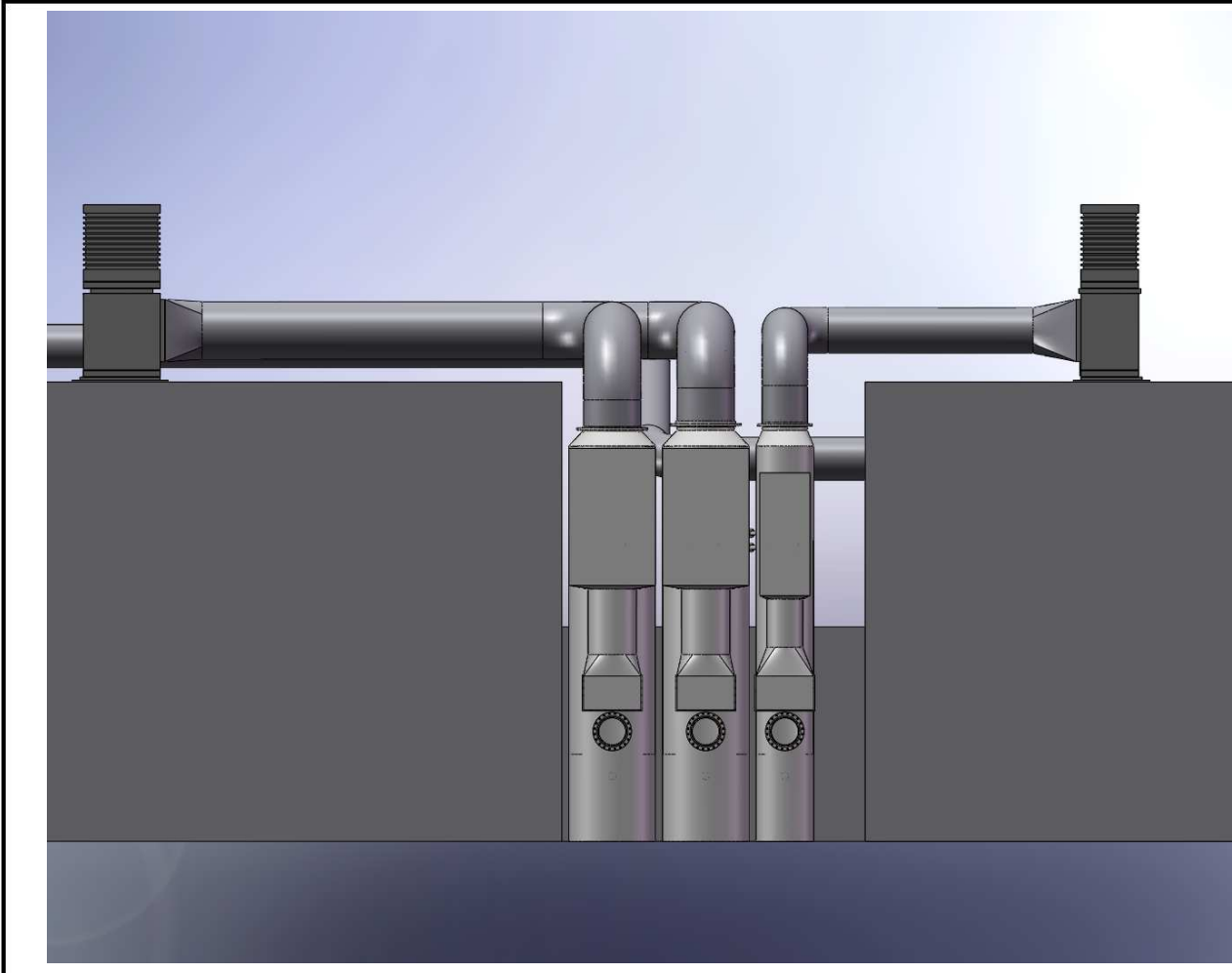
THE INFORMATIONS AND CONCEPTION CONTAINED IN THIS DRAWING ARE THE PROPERTY OF SOFAME INC. THIS DRAWING IS LOANED SUBJECT TO THE CONDITION THAT IT SHALL NOT BE REPRODUCED, LOANED OR SUBMITTED TO OTHER PARTIES WITHOUT THE WRITTEN CONSENT OF SOFAME INC.
 500 ALPHONSE D. ROY - MONTREAL QUEBEC
 H1W 3Y8 (514)523-6545

Designed by:	P.N.	Drawn by:	P.N.
Verified by:	A.R.	Approved by:	A.R.

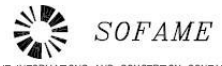
Project title:
 RUTGERS UNIVERSITY
 BUSCH PLANT
 NEW BRUNSWICK NJ

Drawing title:
 PRELIMINARY LAYOUT

SCALE:	---	DATE:	SEP 3 2010	SHEET NO.:	
FILES NO.:	1005	DRAWING NO.:	SC00090-300004		



1	PRELIMINARY LAYOUT	10/09/3
NO.	REVISION (S)	DATE



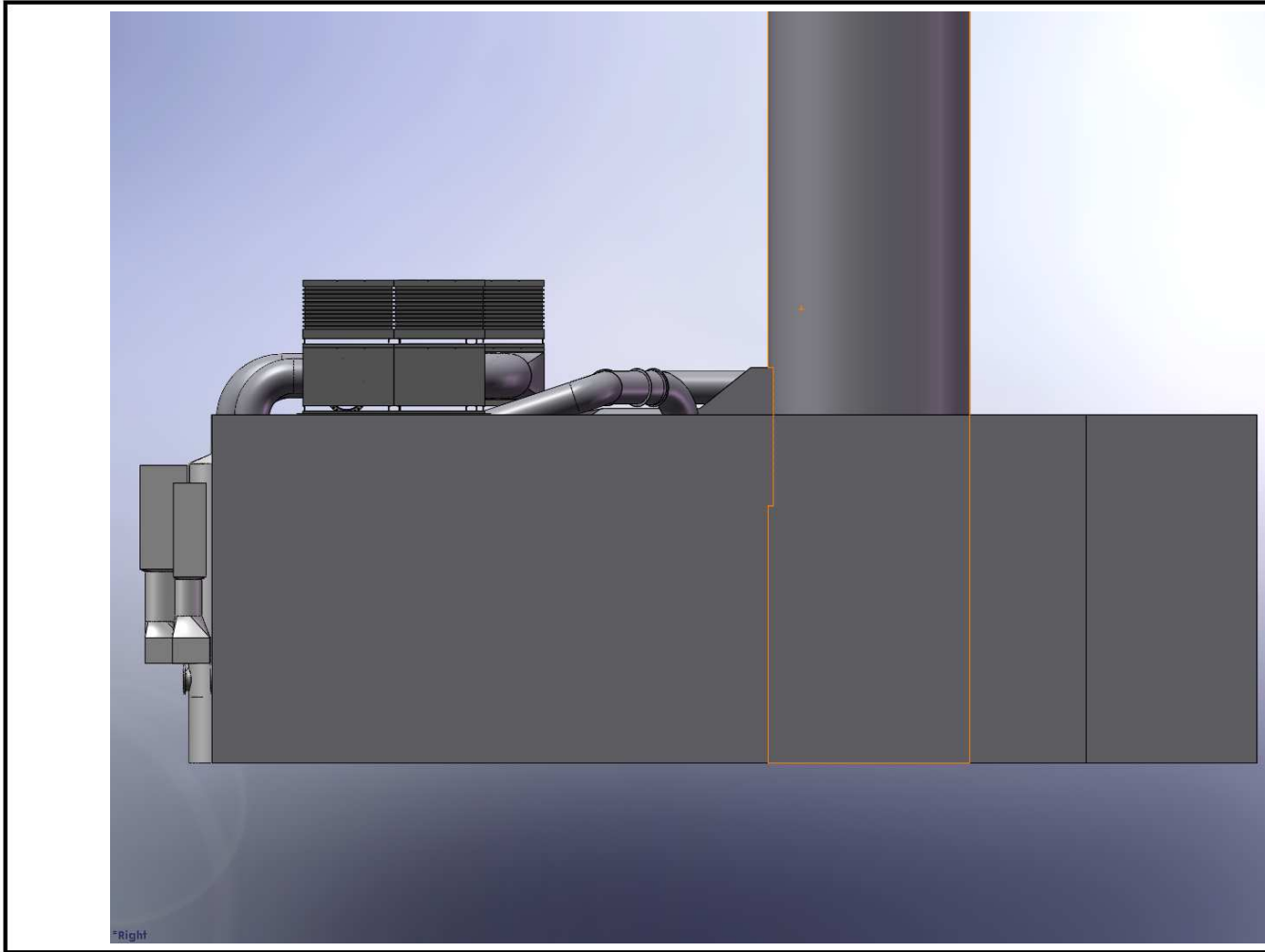
THE INFORMATIONS AND CONCEPTION CONTAINED IN THIS DRAWING ARE THE PROPERTY OF SOFAME INC. THIS DRAWING IS LOANED SUBJECT TO THE CONDITION THAT IT SHALL NOT BE REPRODUCED, LOANED OR SUBMITTED TO OTHER PARTIES WITHOUT THE WRITTEN CONSENT OF SOFAME INC.
 500 ALPHONSE D. ROY MONTREAL QUEBEC H1W 3Y8 (514)523-6545

Designed by:	P.N.	Drawn by:	P.N.
Verified by:	A.R.	Approved by:	A.R.

Project title:
 RUTGERS UNIVERSITY
 BUSCH PLANT
 NEW BRUNSWICK NJ

Drawing title:
 PRELIMINARY LAYOUT

SCALE:	—	DATE:	SEP 3 2010	SHEET N°
FILES N°:	1005	DRAWING N°:	SC00090-300004	



Right

1	PRELIMINARY LAYOUT	10/09/13
NO.	REVISION (S)	DATE



SOFAME

THE INFORMATIONS AND CONCEPTION CONTAINED IN THIS DRAWING ARE THE PROPERTY OF SOFAME INC. THIS DRAWING IS LOANED SUBJECT TO THE CONDITION THAT IT SHALL NOT BE REPRODUCED, LOANED OR SUBMITTED TO OTHER PARTIES WITHOUT THE WRITTEN CONSENT OF SOFAME INC.
 500 ALPHONSE D. ROY MONTREAL QUEBEC
 H1W 3Y8 (514)523-6545

Designed by:	P.N.	Drawn by:	P.N.
Verified by:	A.R.	Approved by:	A.R.

Project title:
 RUTGERS UNIVERSITY
 BUSCH PLANT
 NEW BRUNSWICK NJ

Drawing title:
 PRELIMINARY LAYOUT

SCALE:	-	DATE:	SEP 3 2010	SHEET NO.
FILES N°:	1005	DRAWING NO.:	3000090-300004	