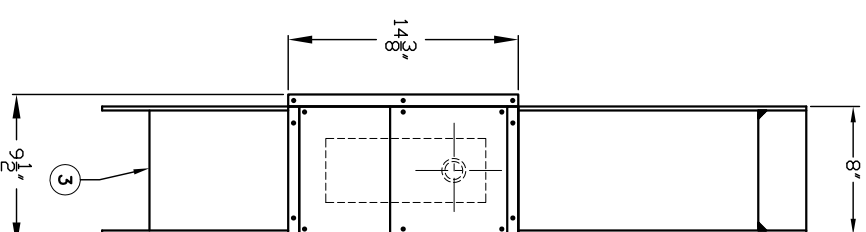
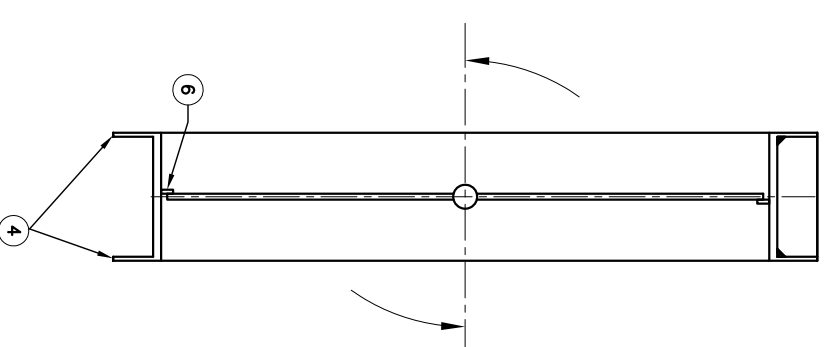


VIEW D

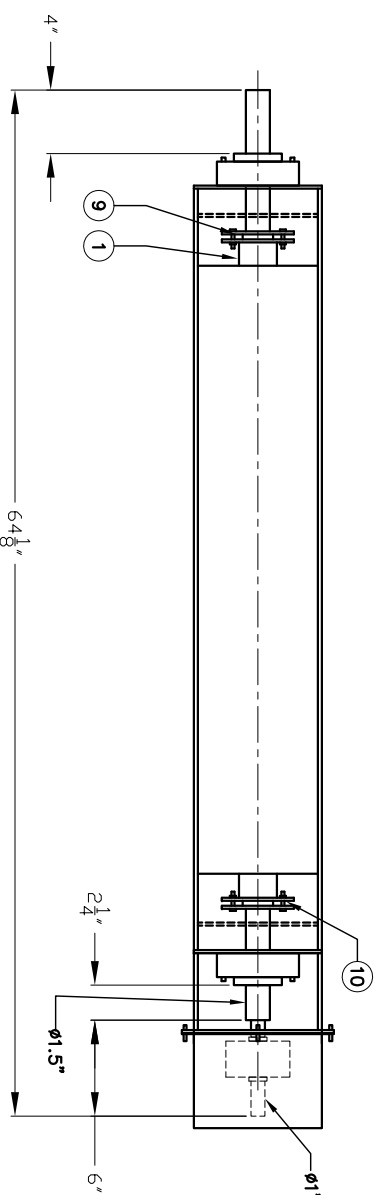
ELEVATION VIEW



VIEW C



SECTION A-A



VIEW B

UNLESS OTHERWISE NOTED:

1. ALL DIMENSIONS ARE IN INCHES
2. TOLERANCES:  $\pm \frac{1}{16}$ "
3. CLEAN ALL SURFACES;

\* FIELD WIRING BY CONTRACTOR

ITEM	QTY	Description
1	2	STUFFING BOX SS-304 FOR 1.5" SHAFT (SOFAME STANDARD PIECES-DAMPER)
2	38"x38"	PL 3/16" SS-304 DAMPER PALE:
3	119-3/4"x8"	PLATE 12GA SS-304 ROLLED AT 38" I.D., DAMPER BODY
4	2	FLANGES, PLATE 1/4" EP, 304SS
5	2	PLATE 1/4"x6"x8", 304SS, ACTUATOR SUPPORT
6	132"	FLAT BAR 1/4" x 3/4" SS-304 ROLLED AT 36 1/2" I.D. AND 38" O.D. SEAT
7	2	BEARING SUPPORT 304SS 8X8X1 (SOFAME STANDARD PIECES-DAMPER)
8	2	MOUNTED BALL BEARING-SEAL MASTER RHP-SF-16 SHAFT 1.5"
9	6"	PACKING SEALING, NO. 3R 771 SIZE 3/16 FOR EACH STUFFING BOX
10	65"	SHAFT: ROUND BAR 1.5" $\phi$ SS-304
11	1	FLAT BAR 6" X 1/4" SS304 WELD TO END OF THE DAMPER SHAFT
12	2	SWITCH TELEMECHANIC: BODY ZCK J2HT, HEADER ZCK E06, LEVER ZCK Y59
13	1	ELECTRIC ACTUATOR BELIMO AF24-SR, 24V-210VDC CMV:
	1	Crankarm kit ZG-AF US
	1	Thermostat/Heater Kit ZG-HTR
	1	Weather Shield ZS-100
	2	Rollies K3-10
14	1	PLATE 1/4"x15"x9.5", 304SS, ACTUATOR SUPPORT
<b>ESTIMATED WEIGHT: 225 LB</b>		



**SOFAME**

THE INFORMATION AND CONCEPTION CONTAINED IN THIS DRAWING ARE THE PROPERTY OF SOFAME INC. THIS DRAWING IS LOANED SUBJECT TO THE CONDITION THAT IT SHALL NOT BE REPRODUCED, LOANED OR SUBMITTED TO OTHER PARTIES WITHOUT THE WRITTEN CONSENT OF SOFAME INC. 500 ALPHONSE D. ROY MONTREAL QUEBEC HIW 3Y8 (514)523-6545

NO.	REVISION (S)	DATE

Designed by: A.R.  
 Drawn by: E.L.  
 Verified by: A.R.  
 Approved by: A.R.

Project title:  
 RUTGERS UNIVERSITY  
 NEW BRUNSWICK, NJ  
 BUSCH PLANT

Drawing title:  
 DAMPER 38"  $\phi$  I.D.  
 NORMALLY CLOSE

SCALE:	NTS	DATE:	OCT 3, 2010	SHEET NO.:
FILES N°:	1005	DRAWING:	DAMPER 38in NC	